

KL FRESNEL 4™



KL FRESNEL 4™ is a 50W 3,000K >97CRI Warm White LED fresnel, producing over 1,900 total lumens output, on par with compatible tungsten halogen models. Features include 14° to 30° wide manual zoom, manual and DMX controlled dimmer and shutter, dimmer and zoom rotary dials, smooth 16-bit selectable dimming curve modes, LED refresh rate frequency and gamma brightness adjustment for flicker free operation for TV and FILM, RDM (remote device management) protocol support, 5pin DMX and powerCON in/out connections, 4 button control panel, LCD menu display, multiple unit power linking, a universal auto switching power supply (100-240v), gel frame and rotating barn doors (included), and a 3 clamp position adjustable mounting yoke.

FEATURES

- 50W 3,000K >97CRI Warm White LED Engine**
- 1,900+ Total Lumens Output**
- On Par with Tungsten Halogen Models**
- 14° to 30° Wide Manual Zoom**
- Manual and DMX Controlled Dimmer and Shutter**
- Dimmer and Zoom Rotary Dials**
- Smooth 16-bit Selectable Dimming Curve Modes**
- LED Refresh Rate and Gamma Brightness Adjustment**
- Flicker Free Operation for TV and FILM**
- RDM (Remote Device Management)**
- Gel Frame and Rotating Barn Doors (included)**
- 3 Clamp Position Adjustable Mounting Yoke**



PRODUCT SPECIFICATIONS

SOURCE

50W >97CRI 3,000K Warm White LED
50,000 Hour Average LED Life*

*LED Life may vary depending on several factors including but not limited to:
Environmental Conditions, Power/Voltage, Usage Patterns (On-Off Cycling), Control and Dimming.

PHOTOMETRIC DATA

6,837 LUX 635 FC @6.6' (2m) (14° Full ON)
1,791 LUX 166 FC @6.6' (2m) (30° Full ON)

EFFECTS

14° - 30° Manual Zoom
Electronic Strobe
Variable 16-bit Dimming Curve Modes

COLOR

Warm White 3,000K

CONTROL / CONNECTIONS

Manual and DMX Controlled Dimmer and Shutter
Dimmer and Zoom Rotary Dials
(4) DMX Channel Modes (1 / 2 / 3 / 4)
4 Button Control Panel LCD Menu Display
RDM (Remote Device Management)
5pin DMX and powerCON TRUE1 In/Out

SIZE / WEIGHT

Length: 13.6" (343.1mm)
Width: 7.9" (201mm)
Vertical Height: 11.4" (289mm)
Weight: 12.2 lbs. (5.1g)

ELECTRICAL / THERMAL

AC 100-240V - 50/60Hz
50W Max Power Consumption
Multiple Unit Power Linking
5°F to 113°F (-15°C to 45°C)

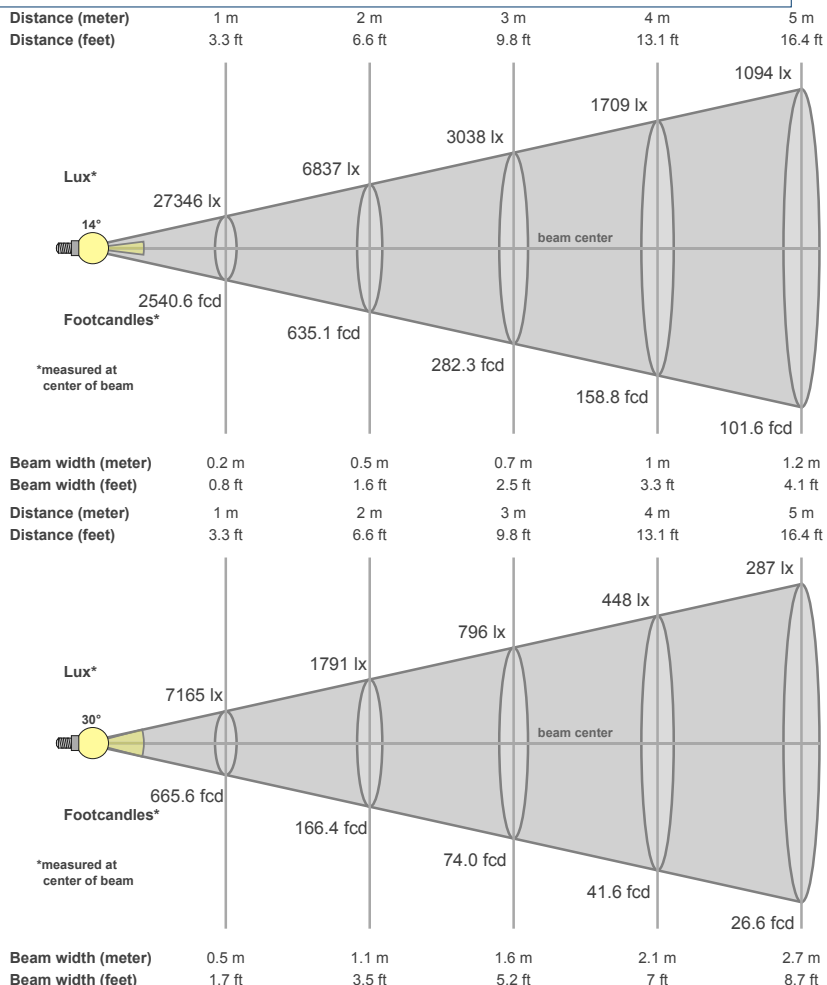
INCLUDED ITEMS

Gel Frame and Rotating Barn Doors
powerCON TRUE1 Power Cable
Barn Doors and Fixture Safety Cable

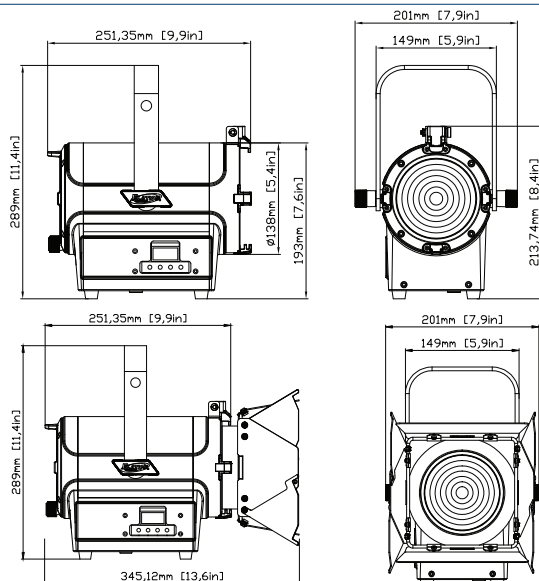
APPROVALS / RATINGS



PHOTOMETRIC DATA



DIMENSIONAL DIAGRAMS



ORDERING INFORMATION

| | |
|------------------------|---|
| KLF001 | WW FRESNEL 50 |
| QUICK RIG CLAMP | Low Profile Quick Release Clamp |
| AC5PDMX5PRO | 5 ft. (1.5m) Spin PRO DMX Cable (Additional cable lengths available) |
| NEU088 | 3 ft. (1m) PowerCON TRUE1 Power Link Cable (Additional cable lengths available) |



Specifications subject to change without notice ©Elation Professional 12/13/17

Elation Professional USA | 6122 S. Eastern Ave. | Los Angeles, CA. 90040
323-582-3322 | 323-832-9142 fax | www.elationlighting.com | info@elationlighting.com

Elation Professional B.V. | Junostraat 2 | 6468 EW Kerkrade, The Netherlands
+31 45 546 85 66 | +31 45 546 85 96 fax | www.elationlighting.eu | info@elationlighting.com