



PROTEUS™ HYBRID



The PROTEUS HYBRID™ an IP65 rated 3-in-1 hybrid moving head luminaire, which can be used as a spot, beam, or wash fixture. Features include an advanced optical system with motorized zoom from 2° in beam mode to 38° in spot mode or 40° in wash mode, a advanced internal thermal cooling system, full CMY and linear CTO color mixing, 14 dichroic colors including CTB, CTO, and UV, 8 rotating interchangeable and 14 static-stamped metal gobos, full 360° bi-directional animation wheel, rotating prisms and frost filter, motorized focus and auto-focus, high speed mechanical shutter and strobe, DMX, RDM (Remote Device Management), Art-NET, and sACN protocol support, Elation's E-FLY™ internal wireless DMX transceiver, IP rated 5pin XLR and RJ45 etherCON in/out connections, powerCON TRUE1 power in, full color 180° reversible menu display with 6 button touch control panel, battery backup for display power, and a multi-voltage universal auto switching power supply (100-240v).

FEATURES

- IP65 Rated Hybrid Spot, Beam, Wash 3-in-1 Luminaire**
- 470W 8,000K Lamp and Advanced Optics**
- Spot, Beam and Wash Modes**
- Motorized Zoom from 2° Beam to 38° Spot or 40° Wash**
- Advanced Internal Thermal Cooling System**
- Full CMY Color Mixing and Linear CTO Color Correction**
- 14 Dichroic Colors including CTB, CTO, and UV**
- 8 Rotating Interchangeable and 14 Static-Stamped Gobos**
- Full 360° Bi-Directional Animation Wheel**
- 8 Facet and Linear Rotating Prisms and Wash Frost Effects**
- Motorized Focus and Auto-Focus**
- High Speed Mechanical Shutter and Strobe**
- DMX, RDM, Art-NET, and sACN Support**
- Elation's E-FLY™ Internal Wireless DMX Transceiver**

Specifications are subject to change without notice ©Elation Professional 11/10/17

Elation Professional USA | 6122 S. Eastern Ave. | Los Angeles, CA. 90040
323-582-3322 | 323-832-9142 fax | www.elationlighting.com | info@elationlighting.com

Elation Professional B.V. | Junostraat 2 | 6468 EW Kerkrade, The Netherlands
+31 45 546 85 66 | +31 45 546 85 96 fax | www.elationlighting.eu | info@elationlighting.eu



PRODUCT SPECIFICATIONS

SOURCE

Philips MSD Platinum 21R 470W 8,000K Lamp
1,000 Hour Average Lamp Life*

*Lamp Life may vary depending on several factors including but not limited to: Environmental Conditions, Power/Voltage, Usage Patterns (On-Off Cycling), Control and Dimming.

PHOTOMETRIC DATA

80CRI | >23,000 Lumens
13,375 LUX 1,243 FC @49.2' (15m) (3.0° Spot)
233,000 LUX 21,646 FC @49.2' (15m) (2.0° Beam)
11,500 LUX 1,068 FC @16.4' (15m) (4.0° Wash)

EFFECTS

Full 360° Bi-Directional Animation Wheel
8 Facet and Linear Rotating Prisms and Prism Macros
Frost Filter Hybrid Wash Effect
Motorized Focus and Auto-Focus
High Speed Mechanical Shutter and Strobe

COLOR

14 Dichroic Colors including CTB, CTO, and UV
Full CMY Color Mixing and Linear CTO Color Correction

GOBOS

(8) Interchangeable Rotating / Indexing Glass Gobos
(14) Static-Stamped Metal Gobos

CONTROL / CONNECTIONS

(3) DMX Channel Modes (37 total channels)
6 Button Touch Control Panel
Full Color 180° Reversible LCD Menu Display
8 / 16 Bit Resolution Adjustable Movement
DMX, RDM, Art-NET and sACN Protocol Support
Elation E-FLY™ Internal Wireless DMX Transceiver
IP65 5pin DMX, RJ45 Ethernet In/Out (Art-NET, sACN)
IP65 powerCON TRUE1 Power In

SIZE / WEIGHT

Length: 18.4" (465mm)
Width: 22.5" (571mm)
Vertical Height: 31.7" (805mm)
Weight: 84.0 lbs. (38.0 kg)

ELECTRICAL / THERMAL

AC 100-240V - 50/60Hz
750W Max Power Consumption
14°F to 113°F (-10°C to 45°C)

APPROVALS / RATINGS



ORDERING INFORMATION

PRB021	PROTEUS HYBRID™
DRCPROHYBRID1	Single Road Case For PROTEUS HYBRID
DRCPROHYBX2W	Dual Road Case For PROTEUS HYBRID
TRIGGER CLAMP	Heavy Duty Wrap Around Hook Style Clamp
EFL001	E-FLY™ Wireless DMX Transceiver
SCABLE60	24" (610mm) 60 lbs. (27 kg) Rated Safety Cable

PHOTOMETRIC DATA

SPOT MODE	15 m	49.2 ft	SPOT MODE	15 m	16.4 ft
3.0° Min	0.73 lux	2.4 fc	29.0° Max	7.65 lux	25.1 fc
FULL ON	61,670	5,729	FULL ON	679	63
BEAM MODE	15 m	49.2 ft	BEAM MODE	15 m	16.4 ft
2.0° Min	0.56 lux	1.8 fc	22.0° Max	2.76 lux	9.1 fc
FULL ON	233,000	21,646	FULL ON	2,712	252
WASH MODE	15 m	49.2 ft	WASH MODE	15 m	49.2 ft
4.0° Min	1.05 lux	3.4 fc	32.0° Max	8.37 lux	27.5 fc
FULL ON	33,340	3,097	FULL ON	626	58

COLORS AND GOBOS

COLOR FLAGS



COLOR WHEEL



INTERCHANGEABLE-ROTATING GOBO WHEEL 1

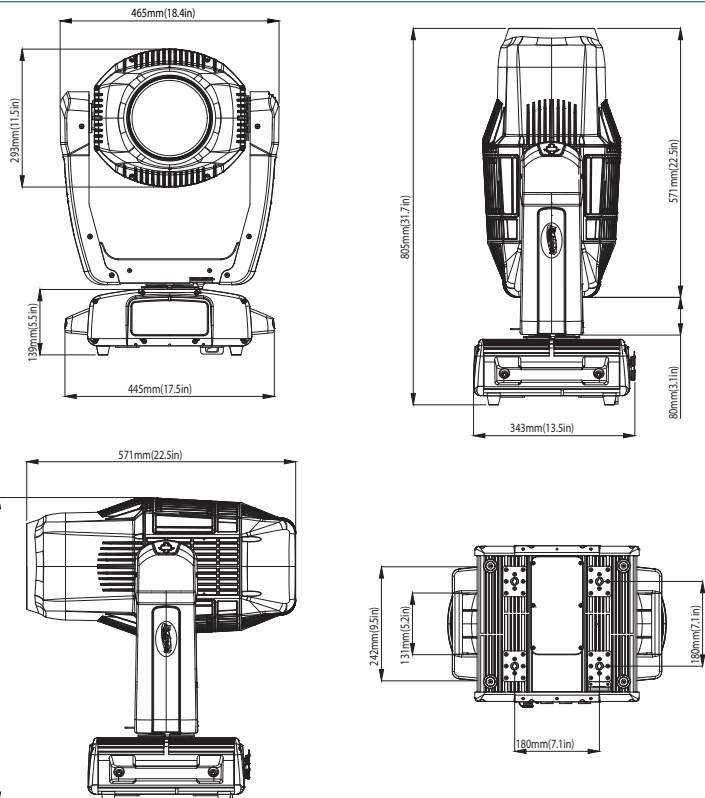


STATIC-FIXED GOBO WHEEL 2



****IMPORTANT NOTICE REGARDING GOBO DIMENSIONS AND CUSTOM GOBOS****
Due to the extreme high temp optical system, special material and design requirements are required. Please contact ELATION Customer Support for specific details.

DIMENSIONAL DIAGRAMS



Specifications are subject to change without notice ©Elation Professional 11/10/17

