

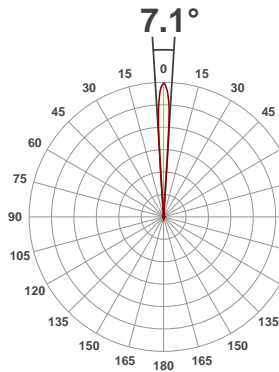
**Light efficiency:**



**Light quality:**



**Color temperature:**



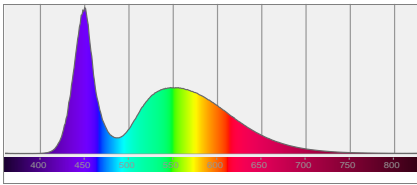
**Product name:**  
**Artiste DaVinci**

**Test:**  
**Zoom In**

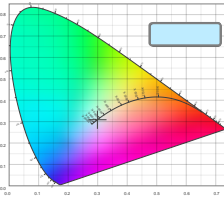
**Date:**  
**4/3/2017**

**Output: 6395 lm Power consumption: 455 W Peak: 515301 cd**

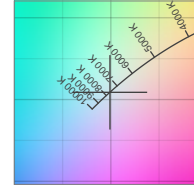
**Spectral distribution**



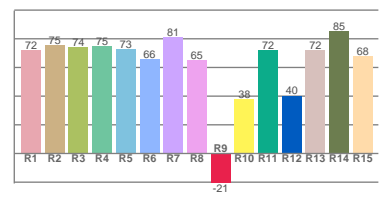
**Color coordinates**



**Zoom color point**

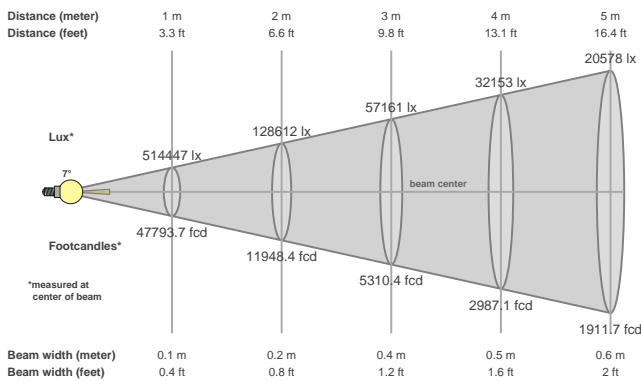


**CRI R values**



Color temperature	Color rendering index	Red component	Color fidelity	Color gamut	Color quality scale	Color coordinate cie 1931	Color coordinate cie 1931	Color coordinate	Color coordinate	Color diviation from black body
CCT	CRI	CRI R9	TM30 Rf	TM30 Rg	CQS	x	y	u	v	Δuv
7626 K	72.5	-20.9	68.3	93.9	68.7	0.299	0.309	0.196	0.303	0.0032

**Beam details**



**Beam angles**

Beam angle 50%	Field angle 10%	Cutoff angle 2,5%
7.1°	8.2°	8.6°

**Beam intensities**

Peak intensity	Int. ratio in 120° cone	Int. ratio in 90° cone
515301 cd	0.9%	0.9%

**Power**

Power	Power factor	Power frequency
455 W	1.0	0 Hz

Nominal voltage	Voltage	Current
230 V	114 V	3.98 A

**Beam intensities from 1-20m**

1m	2m	3m	4m	5m	6m	7m	8m	9m	10m	11m	12m	13m	14m	15m	16m	17m	18m	19m	20m
3.3ft	6.6ft	9.8ft	13.1ft	16.4ft	19.7ft	23ft	26.2ft	29.5ft	32.8ft	36.1ft	39.4ft	42.7ft	45.9ft	49.2ft	52.5ft	55.8ft	59.1ft	62.3ft	65.6ft
514447 lx	128612 lx	57161 lx	32153 lx	20578 lx	14290 lx	10499 lx	8038 lx	6351 lx	5144 lx	4252 lx	3573 lx	3044 lx	2625 lx	2286 lx	2010 lx	1780 lx	1588 lx	1425 lx	1286 lx
47793.7 fcd	11948.4 fcd	5310.4 fcd	2987.1 fcd	1911.7 fcd	1327.6 fcd	975.4 fcd	746.8 fcd	590 fcd	477.9 fcd	395 fcd	331.9 fcd	282.8 fcd	243.8 fcd	212.4 fcd	186.7 fcd	165.4 fcd	147.5 fcd	132.4 fcd	119.5 fcd