



AN OSRAM BUSINESS



# SHAR-BAR

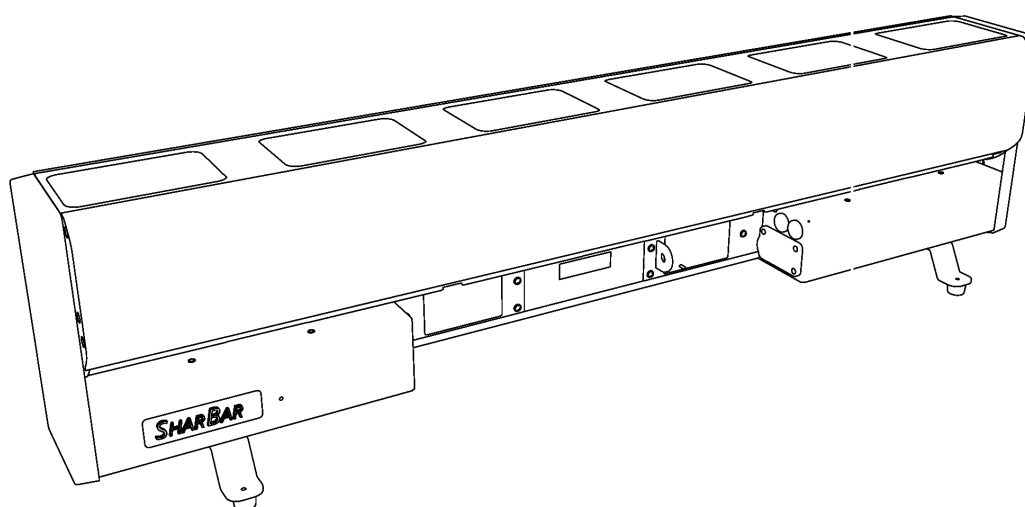
PRELIMINARY



**C71087**



## SHAR-BAR



### **Congratulations on choosing a Clay Paky product!**

We thank you for your choice. Please note that this product and all the others in the rich Clay Paky range, has been designed and manufactured with total quality to ensure excellent performance and best meet your expectations and requirements.



Carefully read this instruction manual and keep in its entirety and keep it safe for future reference.

It is essential to know the information supplied in this manual in order to ensure that the fitting is installed, used and serviced correctly and safely.



CLAY PAKY S.p.A. disclaims all liability for damage to the fitting or to the other property or persons deriving from installation, use and maintenance that have not been carried out in conformity with this instructions manual, which must always accompany the fitting.

CLAY PAKY S.p.A. reserves the right to modify the characteristics stated in this instructions manual at any time and channel list without prior notice.



AN OSRAM BUSINESS



# SHAR-BAR

## CONTENTS

	Pag.
1. Safety Information	4
1. Informazioni sulla sicurezza	4
1. Informations sur la sécurité	4
1. Informationen zur sicherheit	4
1. Información sobre la seguridad	4
2. Unpacking and Preparation	5
3. Installation and Start-Up	6
4. Control Panel	8
5. Maintenance	10
6. Technical Data	12

## 1. SAFETY INFORMATION

### EN

#### **SAFETY INFORMATION**

IMPORTANT: Clay Paky recommends you carefully read and keep the safety information on this product, also available in digital format at the following link:

<http://www.claypaky.it/en>

Ref: [FIS015 – Safety Information Shar-Bar]

### IT

#### **INFORMAZIONI DI SICUREZZA**

IMPORTANTE: Clay Paky raccomanda di leggere accuratamente e conservare le informazioni di sicurezza relative a questo prodotto, sempre reperibili in versione digitale al seguente link:

<http://www.claypaky.it/en/download>

Rif: [FIS015 – Safety Information Shar-Bar]

### DE

#### **INFORMATIONEN ZUR SICHERHEIT**

WICHTIG: Clay Paky empfiehlt, die Sicherheitsinformationen bezüglich dieses Produkts genau zu lesen und aufzubewahren. Sie sind in Digitalversion immer unter folgendem Link auffindbar:

<http://www.claypaky.it/en/download>

Ref: [FIS015 – Safety Information Shar-Bar]

### ES

#### **INFORMACIONES DE SEGURIDAD**

IMPORTANTE: Clay Paky recomienda leer detenidamente y conservar la información de seguridad relativa a este producto. Además, está disponible una versión digital de la misma en el siguiente enlace:

<http://www.claypaky.it/en/download>

Ref: [FIS015 – Safety Information Shar-Bar]

### FR

#### **CONSIGNES DE SÉCURITÉ**

IMPORTANT: Clay Paky recommande de lire attentivement et de conserver les informations de sécurité relatives à ce produit, disponibles en version digitale au lien suivant:

<http://www.claypaky.it/en/download>

Réf. : [FIS015 – Safety Information Shar-Bar]

### RU

#### **ИНСТРУКЦИЮ ПО ТЕХНИКЕ БЕЗОПАСНОСТИ**

ВАЖНО: Clay Paky рекомендует внимательно прочитать и сохранить инструкцию по технике безопасности данного изделия, которая всегда доступна в электронном формате по следующей ссылке:

<http://www.claypaky.it/en/download>

Наименование: [FIS015 – Safety Information Shar-Bar]



## 2. UNPACKING AND PREPARATION

1

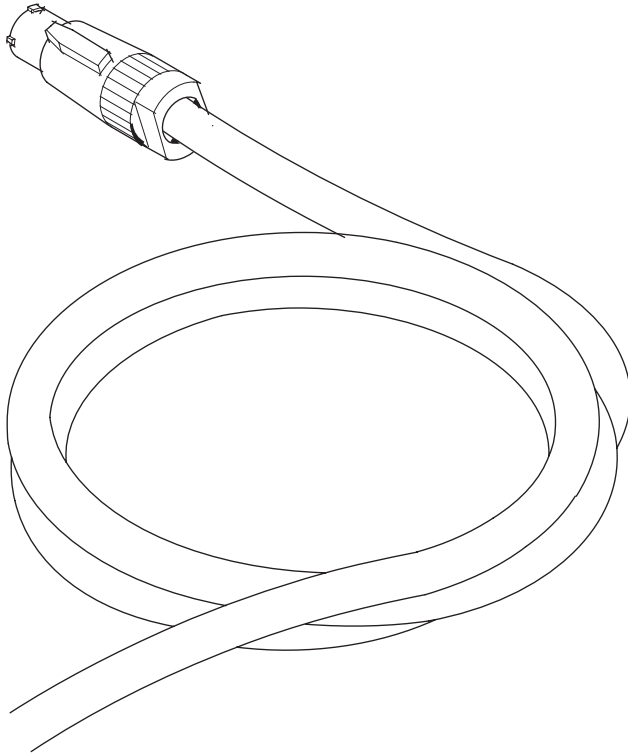


Fig. 1 - Packing content

### 3. INSTALLATION AND START-UP

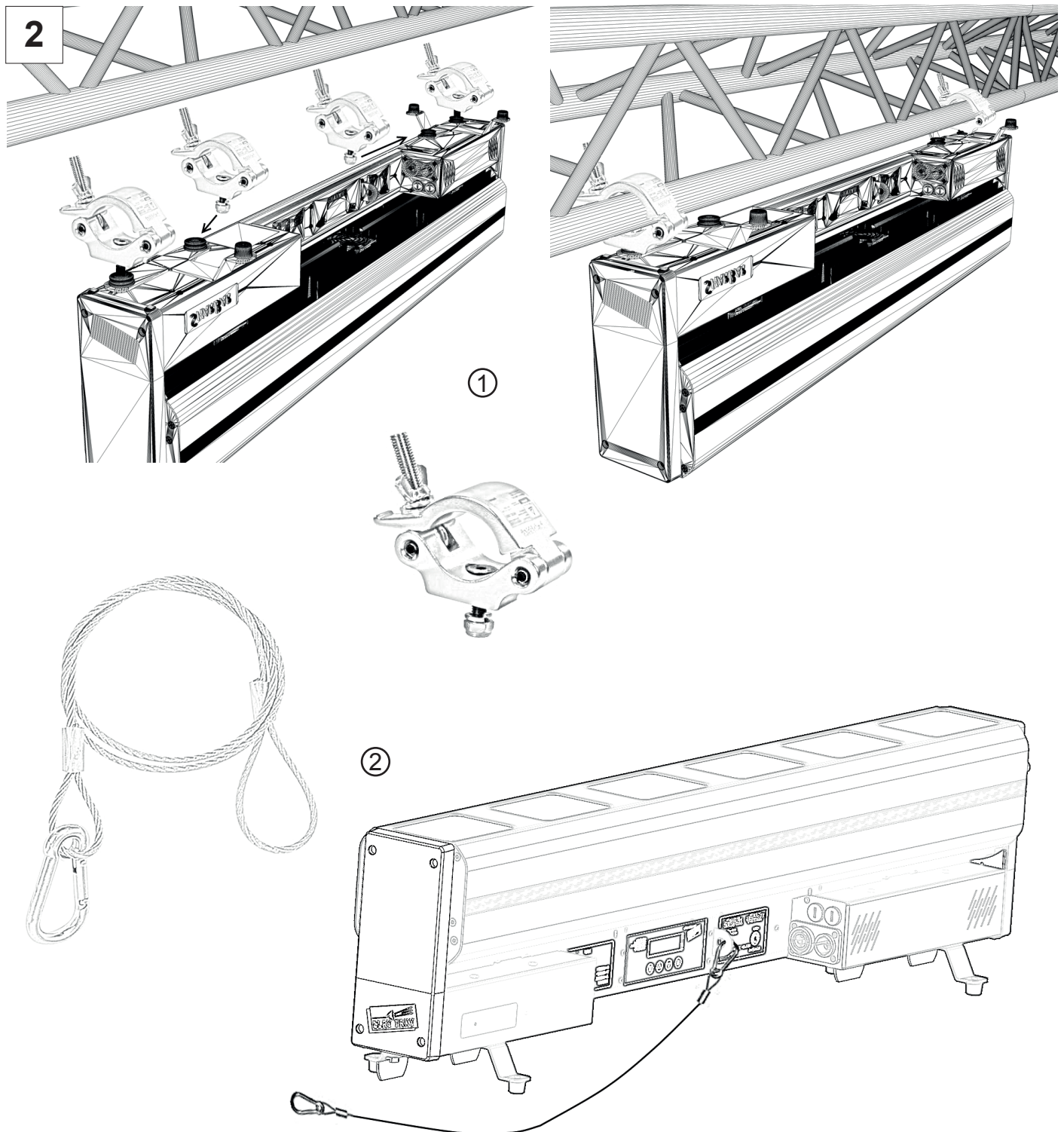


Fig. 2 - Projector installation

The projector can be installed on the floor, on a truss, on the ceiling or wall. **WARNING: the safety chain must be installed except when the projector rests on the floor. (Code 105041/001 available upon request).** This must be secured to the projector support structure and then hooked to the fastening point at the centre of the fixture.

### 3. INSTALLATION AND START-UP

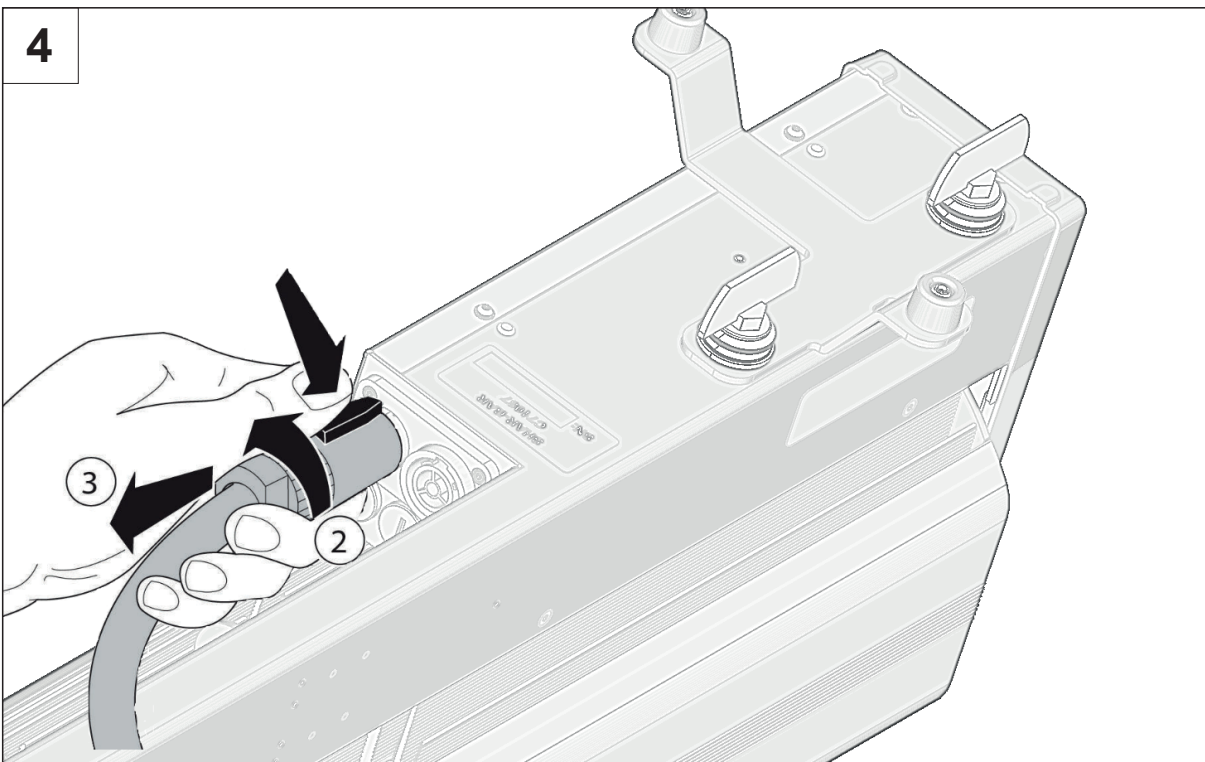
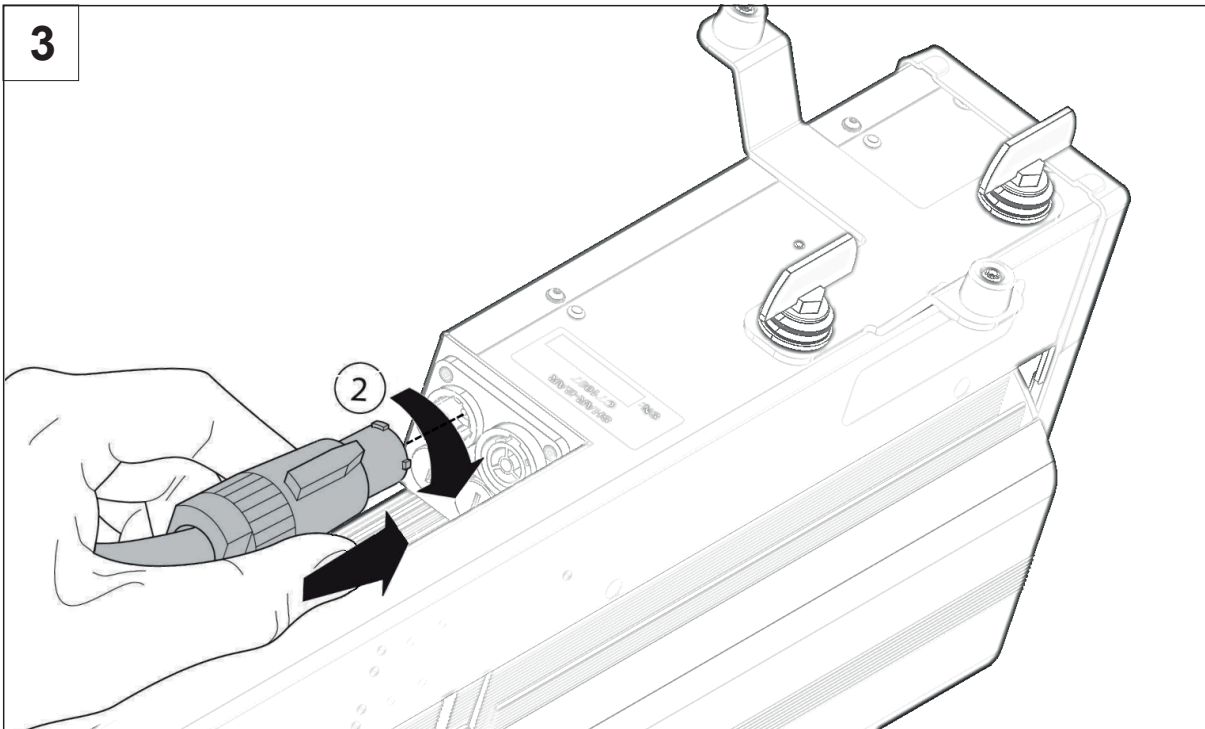
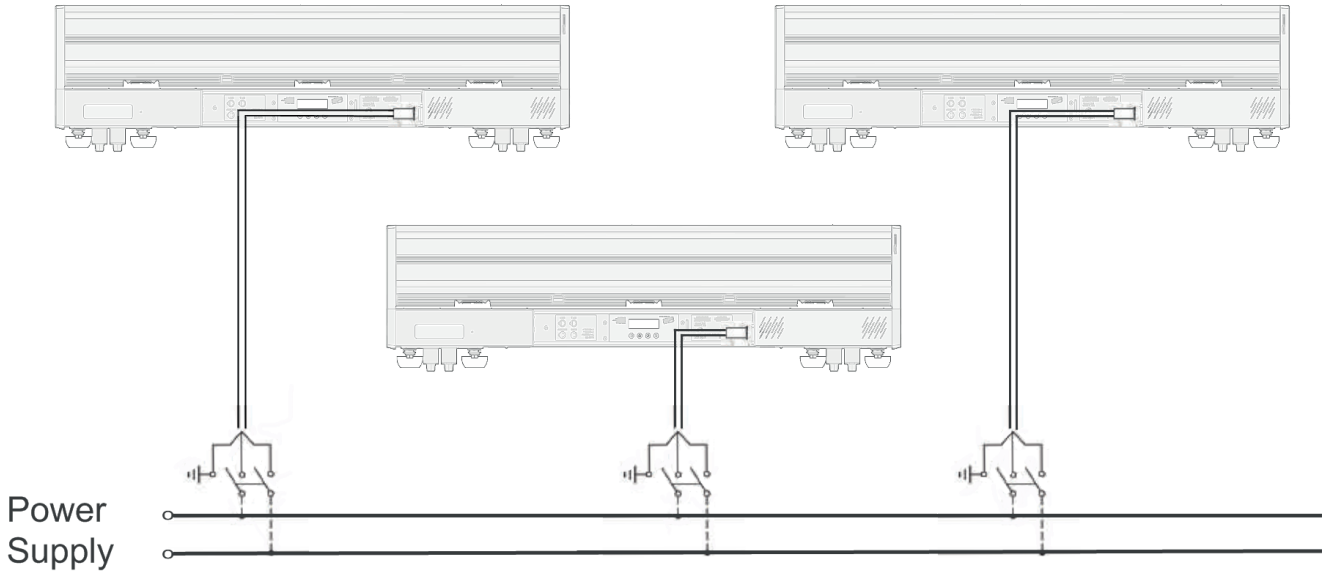


Fig. 3, 4 - Connecting and disconnecting the power cord

## 4. CONTROL PANEL

5



6

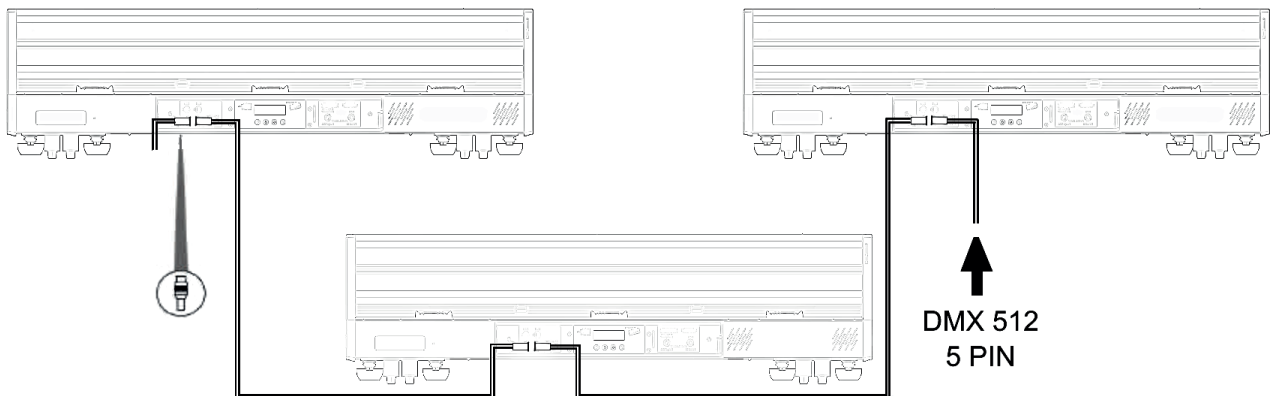


Fig. 5 - Connection to the power mains

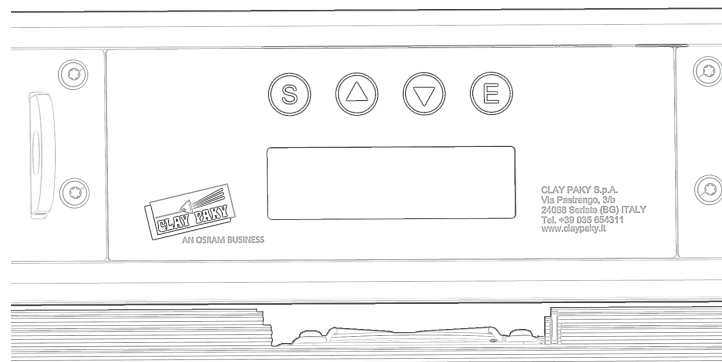
Fig. 6 - Connections to the control signal line (DMX)

Use a cable conforming to specifications EIA RS-485: 2-pole twisted, shielded, 120Ω characteristic impedance, 22-24 AWG, low capacity. Do not use microphone cable or other cable with characteristics differing from those specified. End connections must be made using XLR type 5-pin male/female connectors. A terminating plug must be inserted on the last projector with a resistance of 120 (minimum 1/4 W) between terminals 2 and 3.

**IMPORTANT:** The wires must not make contact with each other or with the metal casing of the connectors. The casing must be connected to the shield braid and pin 1 of the connectors.

## 4. CONTROL PANEL

7







### Menu settings status

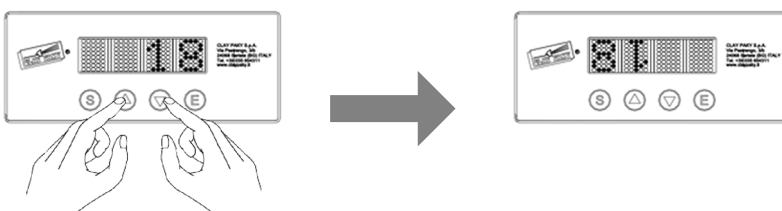
If no button is pressed after a wait period (about 60 seconds) —————> the display automatically returns to idle status.

Any modified value that has not yet been confirmed with the E key will be cancelled.

### Button functions – Menu SET

<p><b>SELECT</b></p> 	<ul style="list-style-type: none"> <li>• If pressed in idle status: Cyclically switches between idle status and menu settings.</li> <li>• If pressed while setting a menu: Moves to an upper level without changing anything (exits the function)</li> </ul>
<p><b>DOWN</b></p> 	<p>Decreases the value displayed (with auto-repetitions), or passes to the next item on the menu. For quick access to the minimum parameter value, press the UP key while holding down the DOWN key.</p>
<p><b>UP</b></p> 	<p>Increases the value displayed (with auto-repetitions), or passes to the previous item on the menu. For quick access to the maximum parameter value, press the DOWN key while holding down the UP key.</p>
<p><b>ENTER</b></p> 	<p>Confirms the displayed value or activates the displayed function or opens the next menu.</p>

### Display inversion



To activate this function press at the same time UP and DOWN keys while the display is in standby.

The condition is memorized and saved even for the subsequent switching. To return to the initial state repeat the operation again.

Fig. 7 - Switching on the projector

The projector immediately turns on when the power cord is plugged



## 5. MAINTENANCE

8

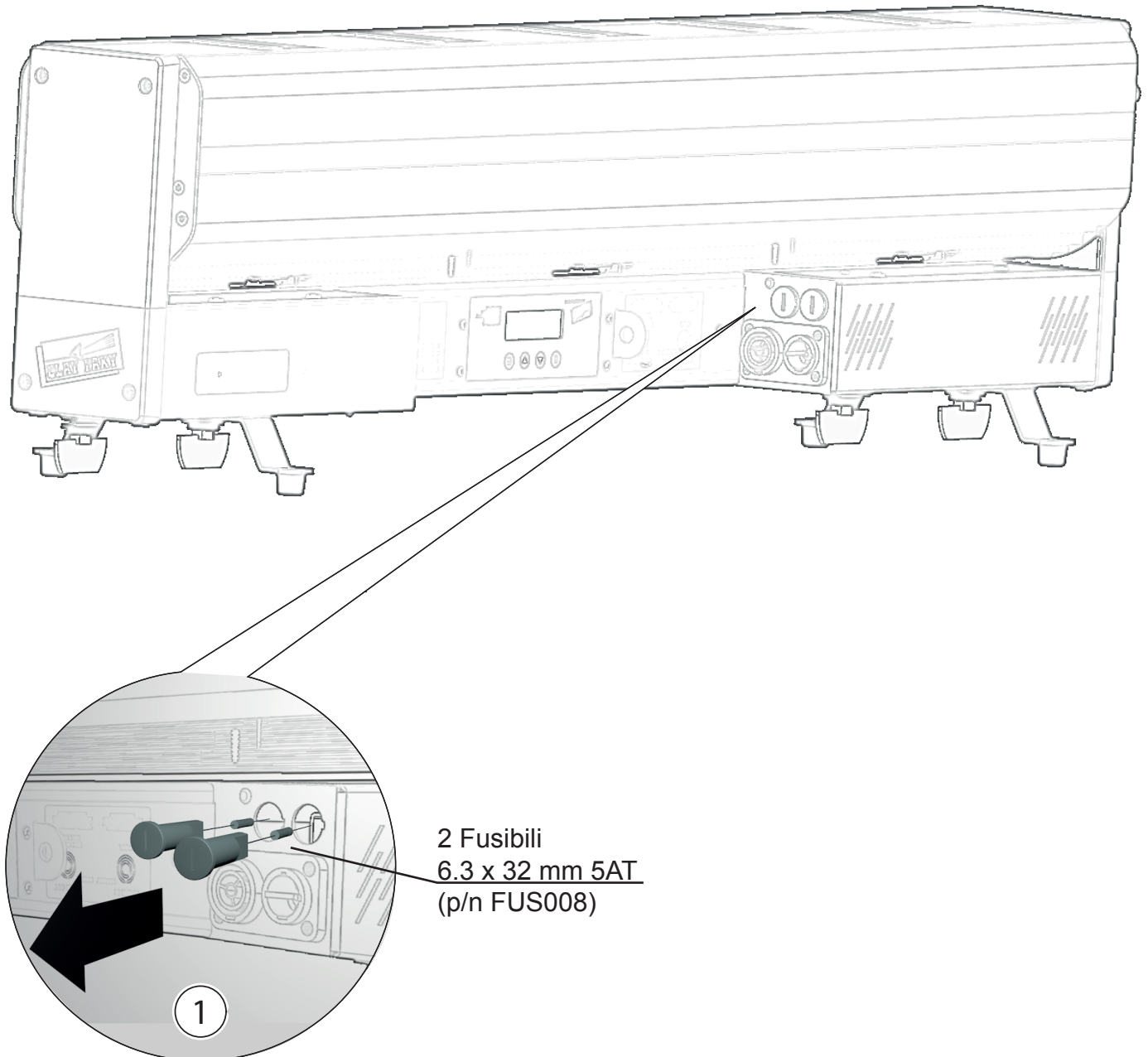


Fig. 8 - **Fuses replacing**

Each product has 2 fuses associated with the main power cord connection.

## 5. MAINTENANCE

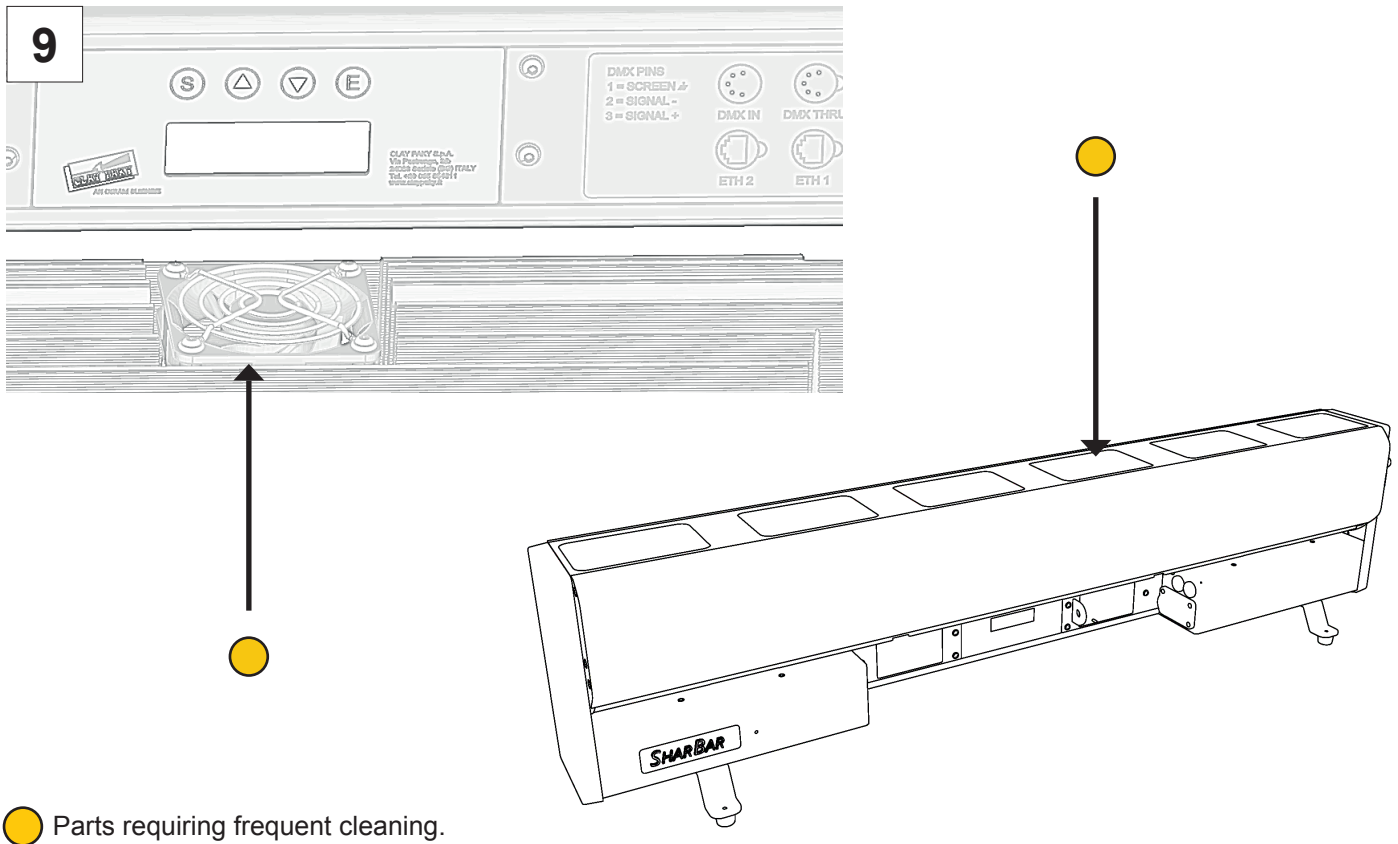


Fig. 9 - Periodic cleaning

To ensure optimal operation and performance for a long time it is essential to periodically clean the parts subject to dust and grease deposits. The frequency with which the following operations are to be carried out depends on various factors such as wear and the work environment quality (air humidity, dust, salinity, etc.). To remove dirt from external parts, use a soft cloth dampened with any liquid glass cleaning detergent.

It is recommended that the projector undergoes an annual service by a qualified technician for special maintenance involving at least the following operations:

- General cleaning of internal parts.
- General visual check of internal parts, cabling, mechanical parts, etc.
- Electrical, photometric and functional checks; eventual repairs.

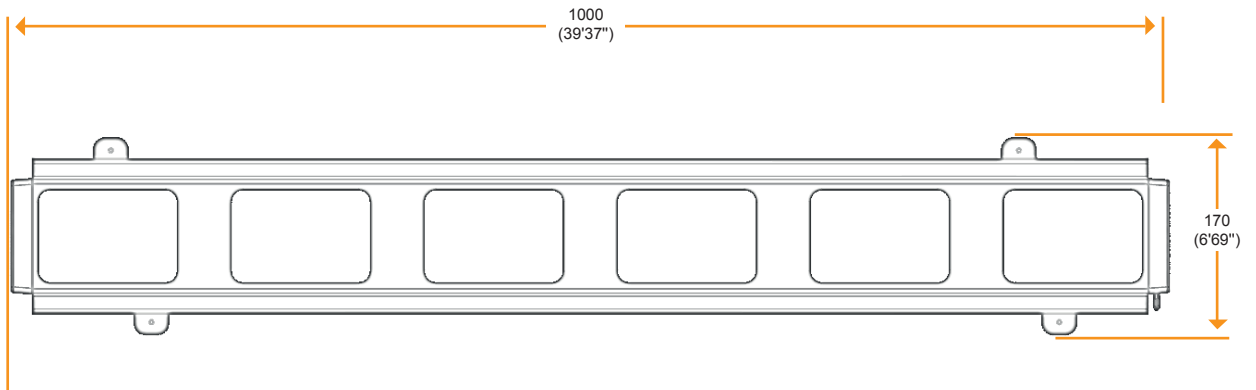
### **IMPORTANT: Cleaning transparent cover**

Only use neutral soap and water to clean the transparent cover then dry it carefully with a soft, non-abrasive cloth. (WARNING: the use of alcohol or any other detergent could damage the transparent cover.)

## 6. TECHNICAL DATA \_ SHAR BAR

<b>POWER SUPPLIES</b>	100/240V 50/60 Hz Automatic power supply
<b>LIGHT SOURCE</b>	6x30W LED RGBW - Type: OSRAM OSTAR - Stage II LE RTDUW S2WN - Color Temperature: 6.000 K - Life: 50.000 hrs
<b>MOTORS</b>	7 stepper motors, operating with micro steps, totally microprocessor controlled 2 linear actuator
<b>CONTROL INPUTS</b>	DMX 512 ART-NET
<b>MOVING BODY</b> Automatic repositioning of TILT after accidental movement not controlled by control unit.	<b>PAN</b> Angle rotation: $\pm 30^\circ$ <b>TILT</b> Angle rotation: $240^\circ$
<b>WEIGHT</b> <b>IP RATING</b>	15 Kg IP20 Protected against the entry of solid bodies larger than 12mm (0,47") No protection against the entry of liquids
<b>SAFETY DEVICES</b>	Automatic shut-down in case of power supply overcurrent or overheating Automatic derating, in case of LED overheating or failed operation of cooling system
<b>COOLING BODY</b>	Forced ventilation with fans and heat sink Body extruded in black anodized aluminum Aluminum and steel structure with plastic covers
<b>WORKING POSITION</b>	Any working position Hanging system with fast-lock omega clamps (1/4 turn) on the base
<b>COLOR SYSTEM AND EFFECTS SECTION</b>	Individual color RGBW control for each LED Global dimmer Color temperature control from 2.500 K to 8.000 K Strobe from 1 to 20 flashes/sec Random and macro strobe Macro color
<b>CONTROL AND PROGRAMMING</b>	DMX protocol signal: USITT DMX 512 Tilt Resolution 16 bit Dimmer Resolution: 16 bit Strobe 20Hz DMX signal connection: 5 pole XLR input and output Software upload through DMX input
<b>ELECTRONICS</b>	Long life self-charging buffer battery Electronic monitoring with status error Cooling system monitoring DMX level monitoring on all channels Internal data transmission diagnostics Firmware upgrade with no power Firmware upload from another fixture





15 Kg  
(15.13 lbs)

